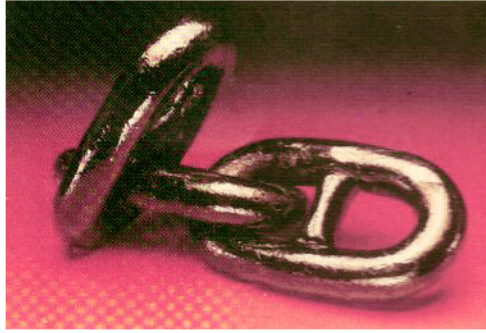


CADENAS NAVALES CON CONTRETE Y ACCESORIOS



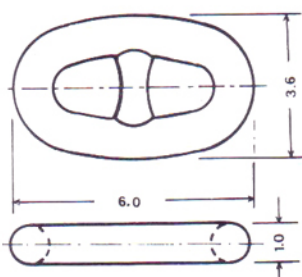
| Diameter | Proof load | | | | Breaking load | | | | Approx mass (27.5m) |
|----------|------------|---------|---------------------|---------|---------------|---------|---------------------|---------|------------------------|
| | Grade 2 | Grade 3 | Oil plat form chain | Grade 4 | Grade 2 | Grade 3 | Oil plat form chain | Grade 4 | |
| mm | kN | kN | kN | kN | kN | kN | kN | kN | kg |
| 14 | 82.4 | | | | 115 | | | | 83 |
| 16 | 107 | | | | 150 | | | | 106 |
| 17.5 | 127 | | | | 179 | | | | 143 |
| 19 | 150 | 211 | | | 211 | 301 | | | |
| 20.5 | 175 | 244 | 249 | 385 | 244 | 349 | 376 | 490 | 264 |
| 22 | 200 | 280 | 286 | 442 | 280 | 401 | 431 | 562 | 305 |
| 24 | 237 | 332 | 339 | 524 | 332 | 475 | 511 | 667 | 362 |
| 26 | 278 | 389 | 397 | 512 | 389 | 556 | 598 | 779 | 425 |
| 30 | 368 | 514 | 524 | 809 | 514 | 735 | 790 | 1030 | 566 |
| 32 | 417 | 583 | 594 | 917 | 583 | 833 | 895 | 1167 | 644 |
| 34 | 468 | 655 | 668 | 1030 | 655 | 937 | 1007 | 1312 | 727 |
| 36 | 523 | 732 | 746 | 1150 | 732 | 1050 | 1120 | 1465 | 815 |
| 38 | 581 | 812 | 828 | 1280 | 812 | 1160 | 1250 | 1630 | 909 |
| 40 | 640 | 896 | 910 | 1410 | 896 | 1280 | 1380 | 1800 | 1007 |
| 42 | 703 | 981 | 1000 | 1550 | 981 | 1400 | 1510 | 1970 | 1110 |
| 44 | 769 | 1080 | 1100 | 1690 | 1080 | 1540 | 1650 | 2160 | 1218 |
| 46 | 837 | 1170 | 1190 | 1840 | 1170 | 1680 | 1800 | 2350 | 1331 |
| 48 | 908 | 1270 | 1290 | 2000 | 1270 | 1810 | 1950 | 2540 | 1450 |
| 50 | 981 | 1370 | 1400 | 2160 | 1370 | 1960 | 2110 | 2750 | 1573 |
| 52 | 1060 | 1480 | 1510 | 2330 | 1480 | 2110 | 2270 | 2960 | 1701 |
| 54 | 1140 | 1590 | 1620 | 2500 | 1590 | 2270 | 2440 | 3180 | 835 |
| 56 | 1220 | 1710 | 1740 | 2580 | 1710 | 2430 | 2620 | 3410 | 1873 |
| 58 | 1290 | 1810 | 1850 | 2960 | 1810 | 2600 | 2800 | 3640 | 2117 |
| 60 | 1380 | 1940 | 1980 | 3040 | 1940 | 2770 | 2980 | 3870 | 2265 |
| 62 | 1470 | 2060 | 2100 | 3240 | 2060 | 2490 | 3170 | 4120 | 2419 |
| 64 | 1560 | 2190 | 2230 | 3430 | 2190 | 3130 | 3360 | 4380 | 2577 |
| 66 | 1660 | 2310 | 2360 | 3640 | 2310 | 3300 | 3560 | 4630 | 2741 |
| 68 | 1750 | 2450 | 2500 | 3850 | 2450 | 3500 | 3760 | 4900 | 2909 |
| 70 | 1840 | 2580 | 2630 | 4060 | 2580 | 3690 | 3970 | 5170 | 3080 |
| 73 | 1990 | 2790 | 2850 | 4390 | 2790 | 3990 | 4290 | 5580 | 3353 |
| 76 | 2150 | 3010 | 3070 | 4730 | 3010 | 4300 | 4620 | 6010 | 3634 |
| 78 | 2260 | 3160 | 3220 | 4950 | 3160 | 4500 | 4850 | 6310 | 3828 |
| 81 | 2410 | 3380 | 3450 | 5320 | 3380 | 4820 | 5190 | 6750 | 4128 |
| 84 | 2580 | 3610 | 3680 | 5680 | 3610 | 5160 | 5550 | 7230 | 4440 |
| 87 | 2750 | 3850 | 3920 | 6050 | 3850 | 5500 | 5920 | 7700 | 4762 |
| 90 | 2920 | 4090 | 4170 | 6440 | 4090 | 5840 | 6290 | 8190 | 5097 |
| 92 | 3040 | 4260 | 4340 | 6690 | 4260 | 6080 | 6540 | 8520 | 5326 |
| 95 | 3230 | 4510 | 4600 | 7090 | 4510 | 6440 | 6930 | 9030 | 5679 |
| 97 | 3340 | 4680 | 4770 | 7360 | 4680 | 6690 | 7200 | 9370 | 5920 |
| 100 | 3530 | 4940 | 5040 | 7770 | 4940 | 7060 | 7600 | 9890 | 6292 |
| 102 | 3660 | 5120 | 5220 | 8040 | 5120 | 7320 | 7870 | 10240 | 6546 |
| 105 | 3850 | 5390 | 5500 | 8470 | 5390 | 7700 | 8280 | 10780 | 6937 |
| 107 | 3980 | 5570 | 5680 | 8760 | 5570 | 7960 | 8560 | 11140 | 7204 |
| 111 | 4250 | 5940 | 6060 | 9340 | 5940 | 8480 | 9130 | 11890 | 7752 |
| 114 | 4440 | 6230 | 6350 | 9780 | 6230 | 8890 | 9570 | 12450 | 8177 |
| 117 | 4650 | 6510 | 6640 | 10230 | 6510 | 9300 | 10010 | 13030 | 8613 |
| 120 | 4850 | 6810 | 6940 | 10690 | 6810 | 9720 | 10450 | 13610 | 9060 |
| 122 | 5000 | 7000 | 7140 | 11000 | 7000 | 9990 | 10750 | 14000 | 9360 |
| 124 | 5140 | 7200 | 7340 | 11310 | 7200 | 10280 | 11060 | 14390 | 9675 |
| 127 | 5350 | 7490 | 7640 | 11790 | 7490 | 10710 | 11520 | 14990 | 10148 |
| 130 | 5570 | 7800 | 7950 | 12250 | 7800 | 11140 | 11980 | 15600 | 10635 |
| 132 | 5720 | 8000 | 8160 | 12590 | 8000 | 11420 | 12290 | 16020 | 10965 |
| 137 | 6080 | 8510 | 8680 | 13390 | 8510 | 12160 | 13090 | 17050 | 11810 |
| 142 | 6450 | 9030 | 9210 | 14220 | 9030 | 12910 | 13890 | 18100 | 12690 |
| 147 | 6840 | 9560 | 9750 | 15050 | 9560 | 13660 | 14700 | 19160 | 13600 |
| 152 | 7220 | 10100 | 10300 | 15890 | 10100 | 14430 | 15520 | 20230 | 14500 |

CADENAS NAVALES CON CONTRETE Y ACCESORIOS

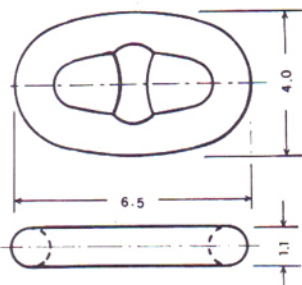


KENTER SHACKLE U2/U3 WITH LLOYD/ABS
CERTIFICATE

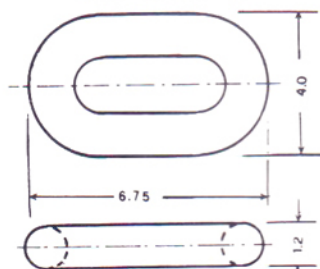
COMMON LINK = C



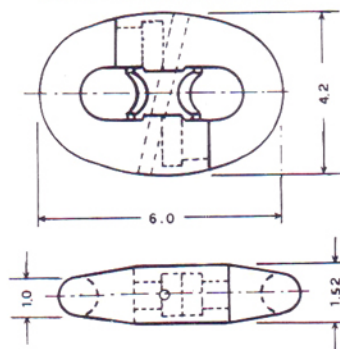
ENLARGED LINK = EL



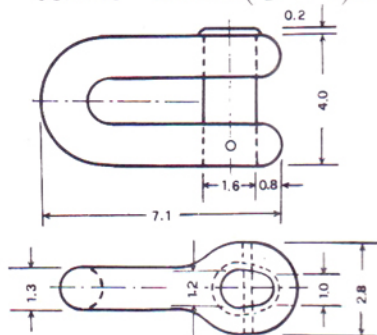
END LINK = E



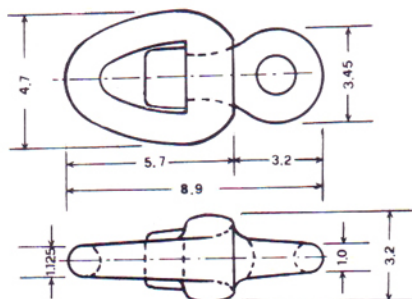
KENTER SHACKLE = K.S



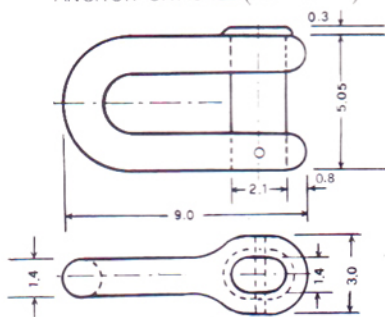
JOINING SHACKLE ('D' TYPE) = J.S



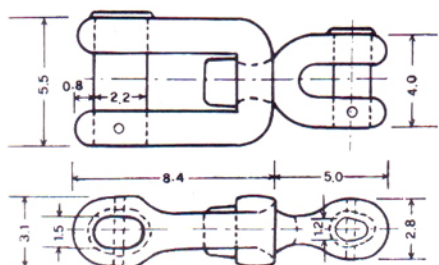
SWIVEL = SW



ANCHOR SHACKLE ('D' TYPE) = A.S



ANCHOR SWIVEL SHACKLE = A·SW·S (a)



ANCHOR SWIVEL SHACKLE = A·SW·S (b)

